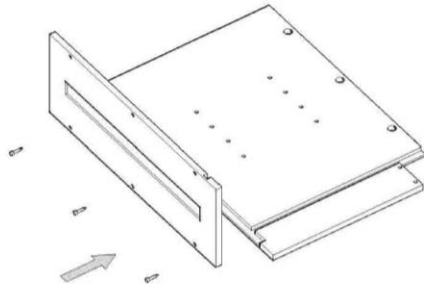
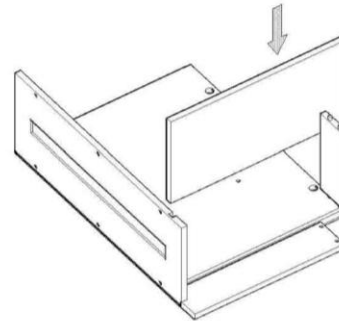


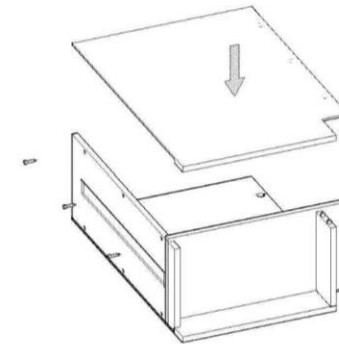
SINGLE DOOR BASE CABINETS (page 1 of 2)



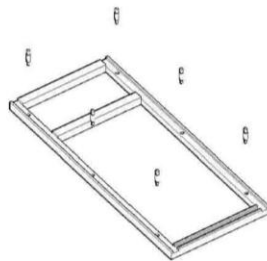
STEP 1:
Connect the Side Panel and Backboard, then fasteners into the hole on the backboard.



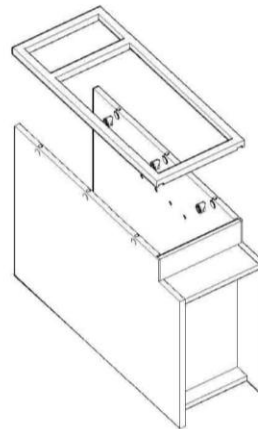
STEP 2:
Insert the Bottom Panel and the Toe Kick into the grooves.



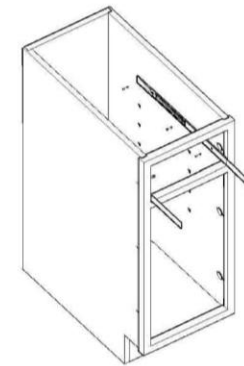
STEP 3:
Position the another Side Panel into the grooves, then fasteners into the hole on the backboard.



STEP 4:
Screw the dowels into the Faceframe.

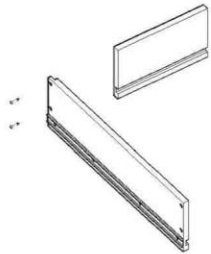


STEP 5:
Position the Faceframe, then use screwdriver to lock the Casings.

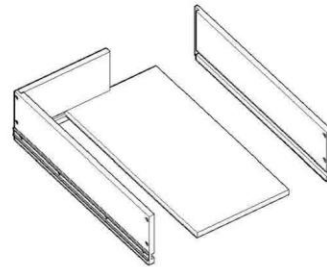


STEP 6:
Slide the Drawer Slide from the Faceframe until the drawer slide is aligned with the faceframe.

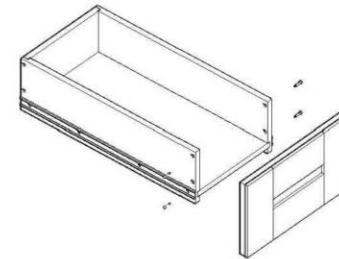
SINGLE DOOR BASE CABINETS (page 2 of 2)



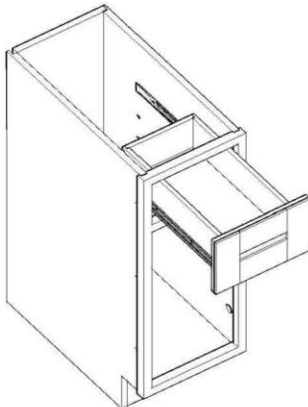
STEP 7:
Fasten the Drawer Side Panel
and Drawer Back Panel.



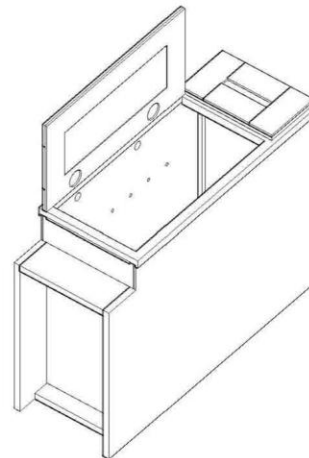
STEP 8:
Insert bottom and another
Drawer Side Panel into the
grooves.



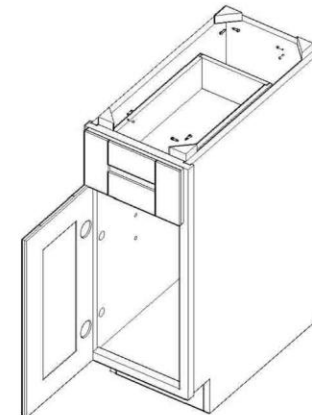
STEP 9:
Position the Drawer Front into
the grooves, then screw the Side
Panel and the Front.



STEP 10:
Slide the Drawer into the track.

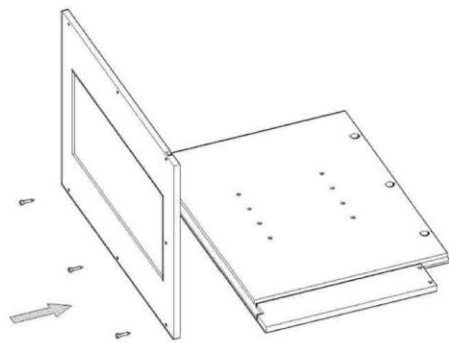


STEP 11:
Fasten the hinges into the doors,
then screw them on the cabinet.

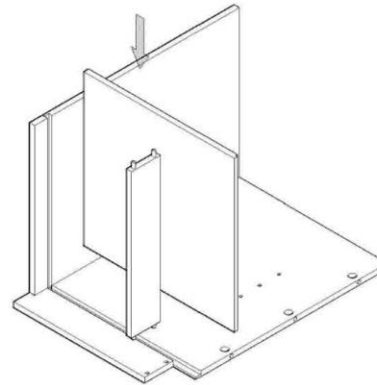


STEP 12:
Screw the Corner Bracket.

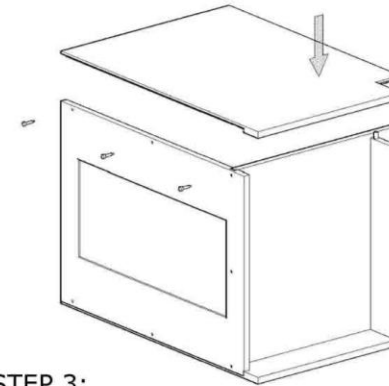
DOUBLE DOOR BASE CABINETS (page 1 of 2)



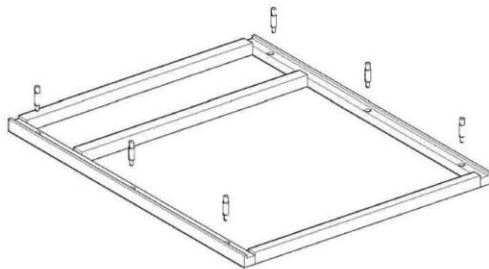
STEP 1:
Connect the Side Panel and Backboard, then fasteners into the hole on the backboard.



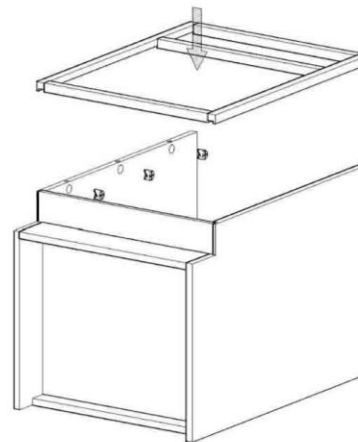
STEP 2:
Insert the Bottom Panel and the Top Panel into the grooves.



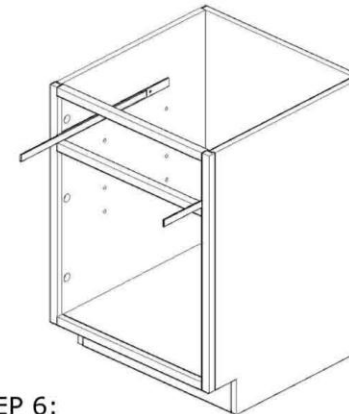
STEP 3:
Position the another Side Panel into the grooves, then fasteners into the hole on the backboard.



STEP 4:
Screw the dowels into the Faceframe.

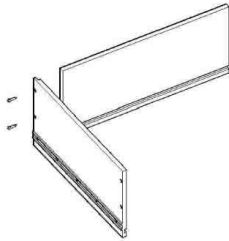


STEP 5:
Position the Faceframe, then use screwdriver to lock the Casings.

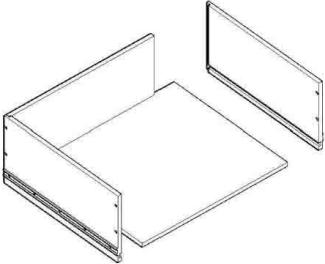


STEP 6:
Slide the Drawer Slide from the Faceframe until the drawer slide is aligned with the faceframe, then fasten into pre-drilled holes.

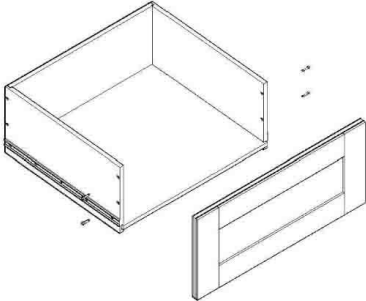
DOUBLE DOOR BASE CABINETS (page 2 of 2)



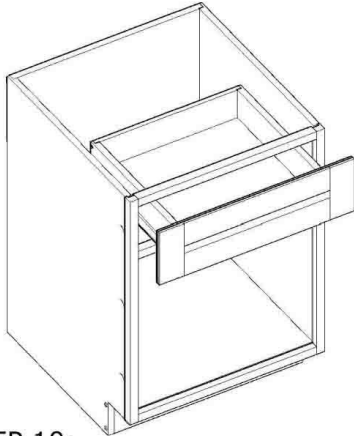
STEP 7:
Fasten the Drawer Side Panel and Drawer Back Panel.



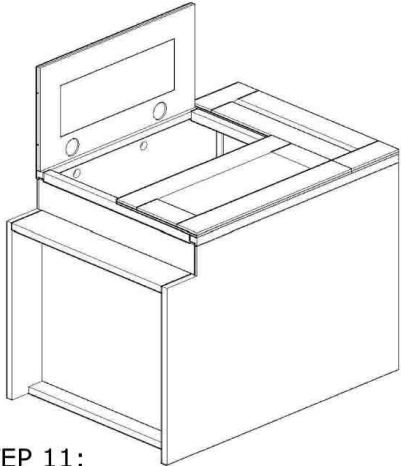
STEP 8:
Insert bottom and another Drawer Side Panel into the grooves.



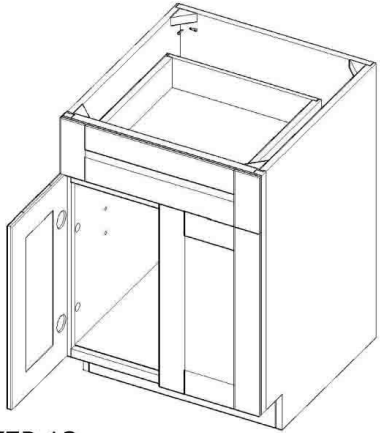
STEP 9:
Position the Front into the grooves, then screw the Side Panel and the Front.



STEP 10:
Slide the Drawer into the track.

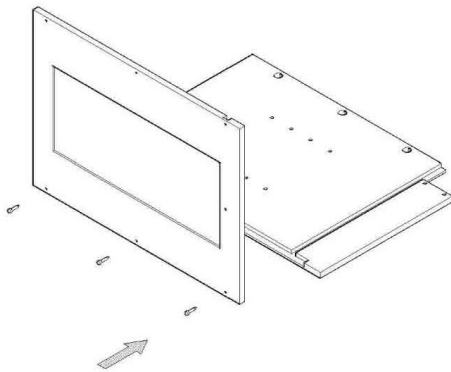


STEP 11:
Fasten the hinges into the doors, then screw them on the cabinet.

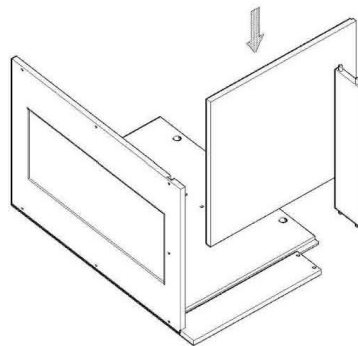


STEP 12:
Screw the Corner Bracket.

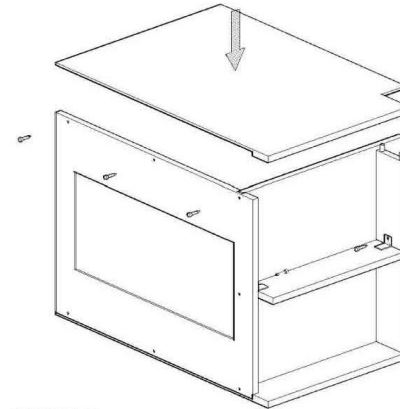
3 DRAWERS BASE CABINETS (page 1 of 2)



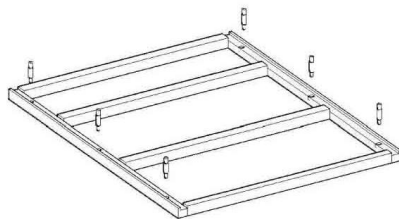
STEP 1:
Connect the Side Panel and Backboard, then fasteners into the hole on the backboard.



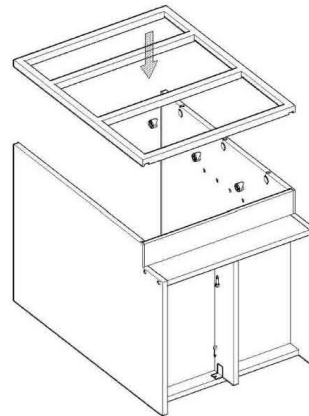
STEP 2:
Insert the Bottom Panel and the Top Panel into the grooves.



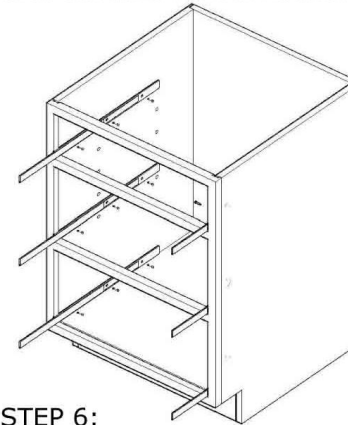
STEP 3:
Position the another Side Panel into the grooves, then fasteners into the hole on the backboard



STEP 4:
Screw the dowels into the Faceframe.

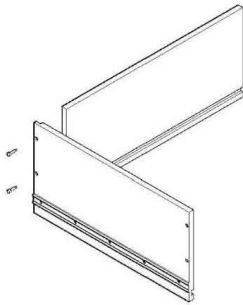


STEP 5:
Position the Faceframe, then use screwdriver to lock the Casings.

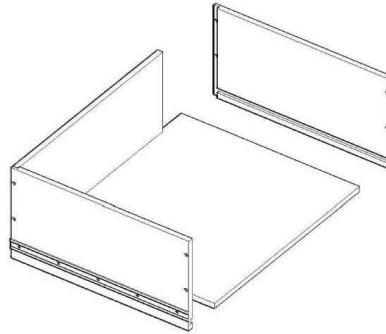


STEP 6:
Slide the Drawer Slide from the Faceframe until the drawer slide is aligned with the faceframe, then fasten into pre-drilled holes.

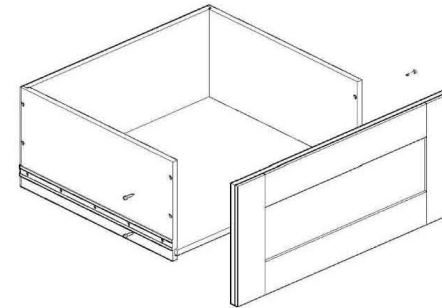
3 DRAWERS BASE CABINETS (page 2 of 2)



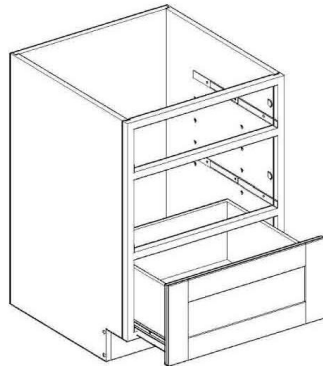
STEP 7:
Fasten the Drawer Side Panel
and Drawer Back Panel.



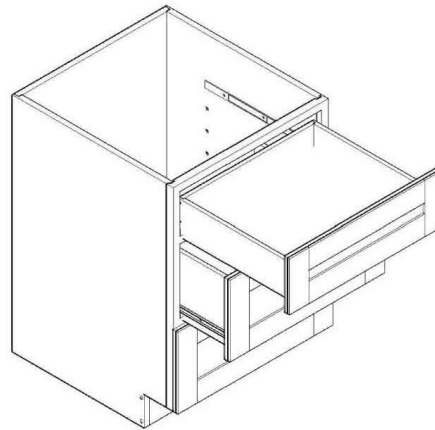
STEP 8:
Insert Bottom and another
Drawer Side Panel into the
grooves.



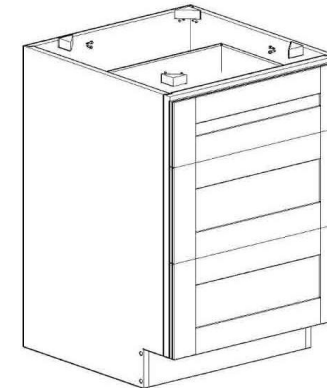
STEP 9:
Position the Drawer Front into
the grooves, then screw the Side
Panel and the Front.



STEP 10:
Slide the Drawer into the track.

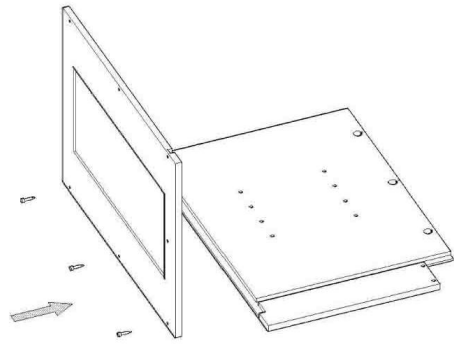


STEP 11:
Slide the ohter Drawer into the
track.

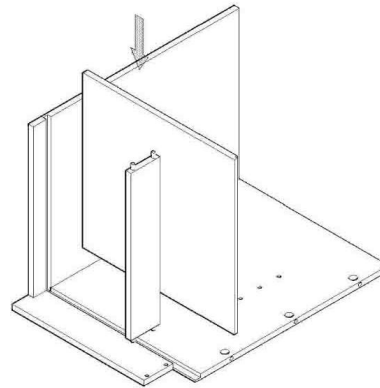


STEP 12:
Screw the corner bracket.

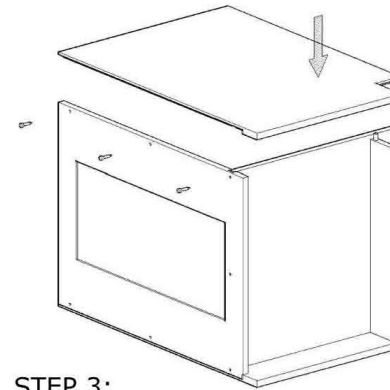
SINK BASE CABINETS (page 1 of 2)



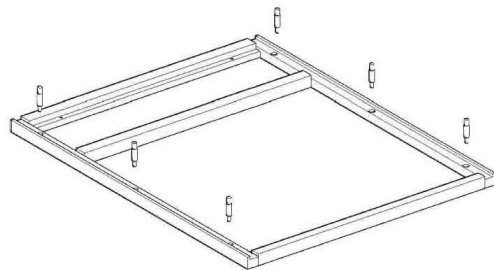
STEP 1:
Connect the Side Panel and Backboard, then fasteners into the hole on the backboard.



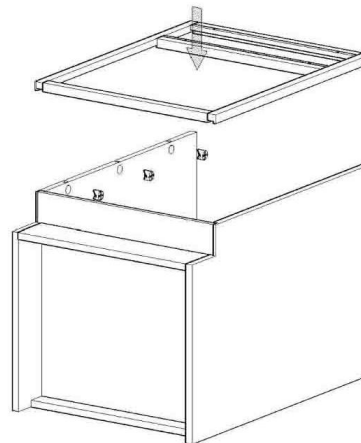
STEP 2:
Insert the Bottom Panel and the Top Panel into the grooves.



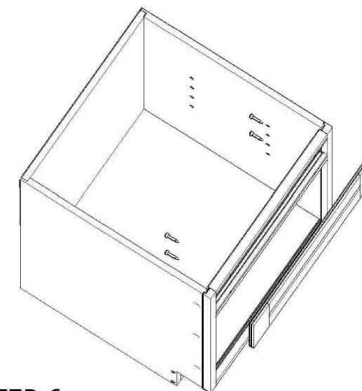
STEP 3:
Position the another Side Panel into the grooves, then fasteners into the hole on the backboard.



STEP 4:
Screw the dowels into the Faceframe.

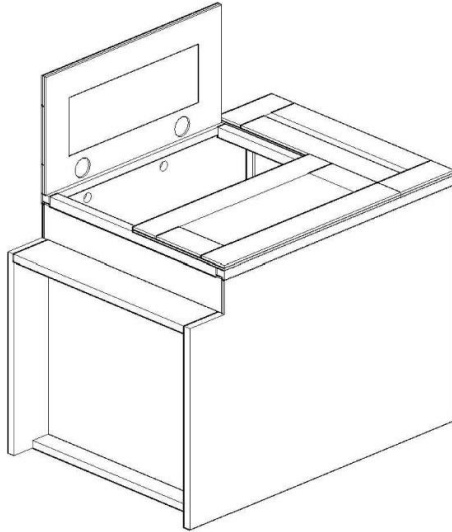


STEP 5:
Position the Faceframe, then use screwdriver to lock the Casings.

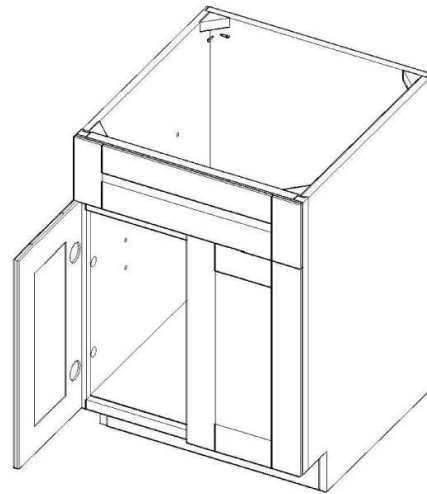


STEP 6:
Position the Front Door Panel on the Faceframe, then fasten into pre-drilled holes.

SINK BASE CABINETS (page 2 of 2)

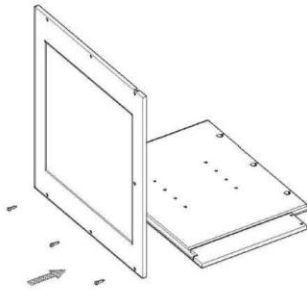


STEP 7:
Fasten the hinges into the doors,
then screw them on the cabinet.

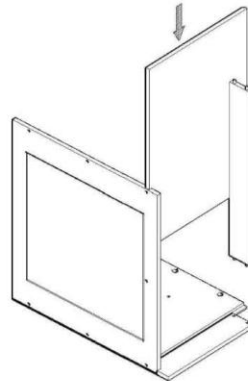


STEP 8:
Screw the Corner Bracket.

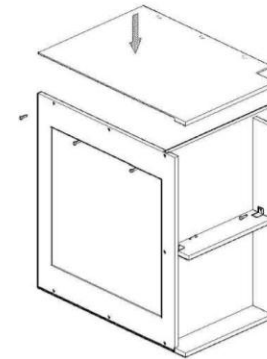
BLIND CORNER BASE CABINETS



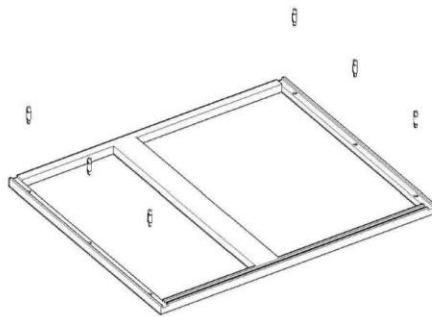
STEP 1:
Connect the Side Panel and Backboard, then fasteners into the hole on the backboard.



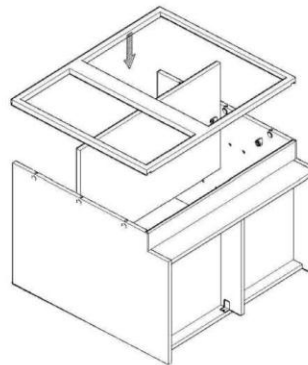
STEP 2:
Insert the Bottom Panel and the Top Panel into the grooves.



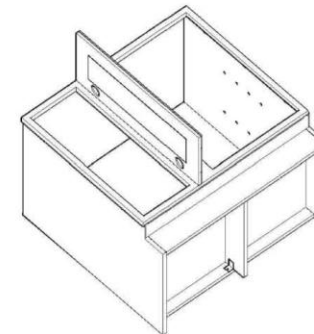
STEP 3:
Position the another Side Panel into the grooves, then fasteners into the hole on the backboard.



STEP 4:
Screw the dowels into the Faceframe.

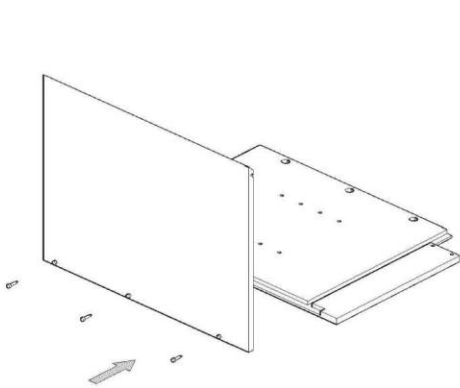


STEP 5:
Position Shelf and the Faceframe, then use Screwdriver to lock the Casings.

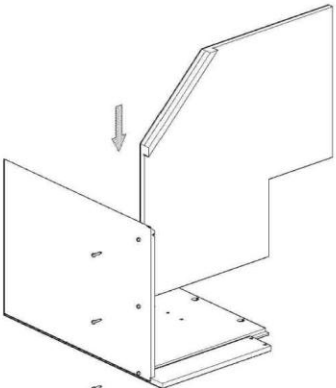


STEP 6:
Fasten the hinges into the doors, then screw them on the cabinet.

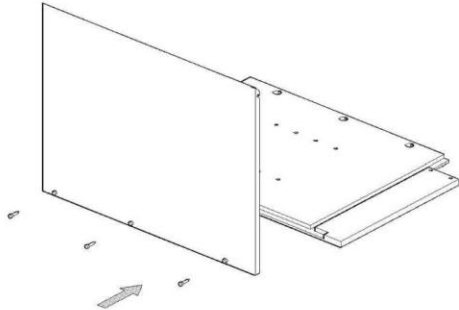
LAZY-SUSAN BASE CABINETS (page 1 of 3)



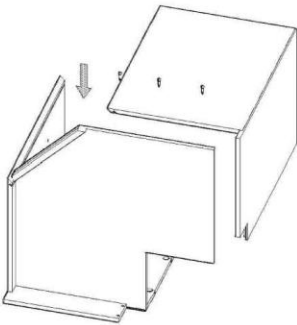
STEP 1:
Connect the End Panel and Back End Panel, then fasteners into the hole on the back End Panel.



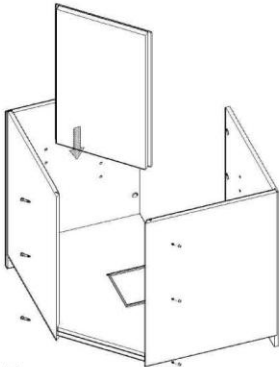
STEP 2:
Insert the Bottom Panel into the grooves.



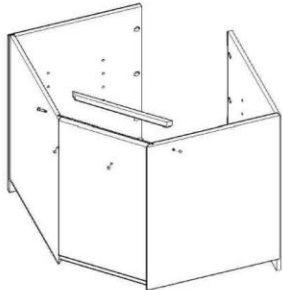
STEP 3:
Connect the End Panel and Back End Panel, then fasteners into the hole on the Back End Panel.



STEP 4:
Connect the End Panel and the Back End Panel to the Bottom Panel.

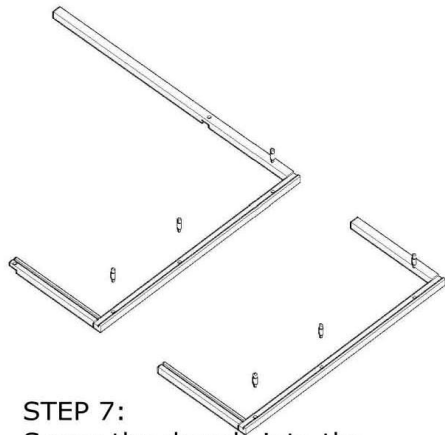


STEP 5:
Insert the Backboard into the grooves and screw it.

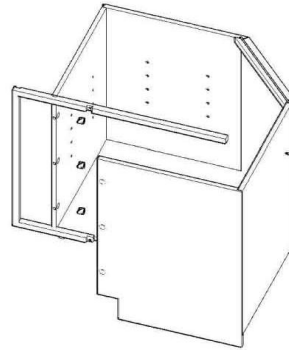


STEP 6:
Screw the wood stick at the Backboard.

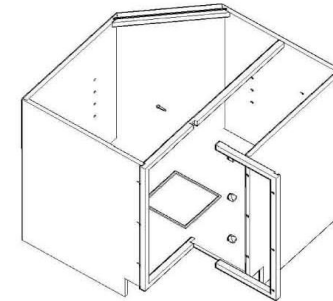
LAZY-SUSAN BASE CABINETS (page 2 of 3)



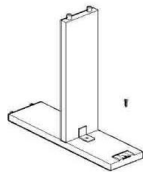
STEP 7:
Screw the dowels into the Faceframe.



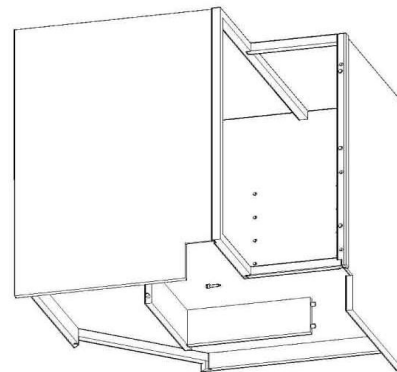
STEP 8:
Position the Faceframe, then use screwdriver to lock the casings.



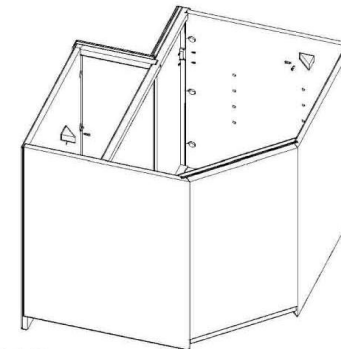
STEP 9:
Position another Faceframe then lock the casings and screw the at the end of the two Face frame joining area.



STEP 10:
Join tow pieces of Toe Kick board together.

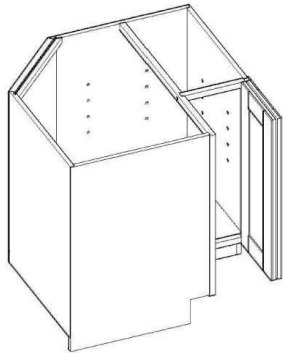


STEP 11:
Screw the Face Frame together at the joining area and insert the Toe Kick into the grooves.

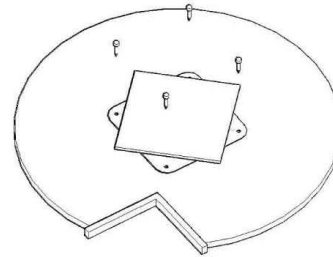


STEP 12:
Screw Corner Brackets and Magnetic Latch on the cabinet.

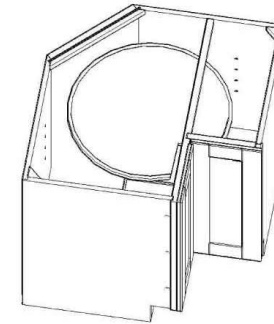
LAZY-SUSAN BASE CABINETS (page 3 of 3)



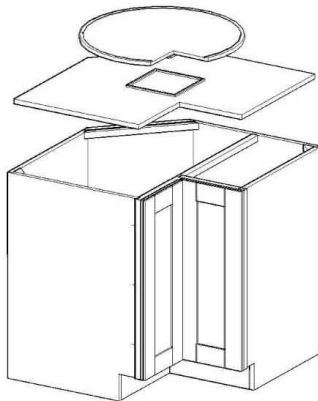
STEP 13:
Install the hinges on the doors,
then screw them on the cabinet.



STEP 14:
Screw the Swivel Plate into the
Lazy Susan Plate.

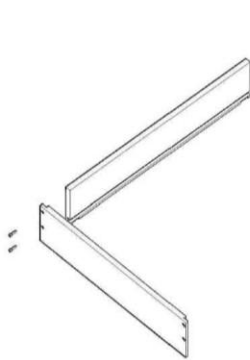


STEP 15:
put the lazy susan plate into the
cabinet.

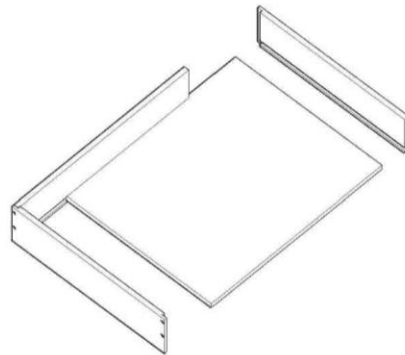


STEP 16:
Put the shelf supports, then
locate the another Lazy Susan
plate into the cabinet.

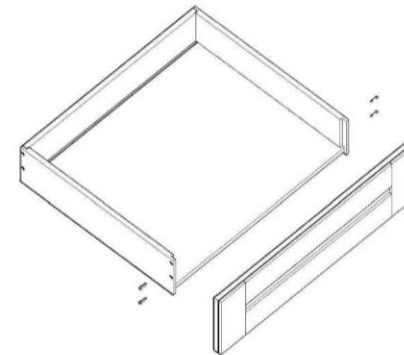
SOFT-CLOSING DRAWERS (page 1 of 2)



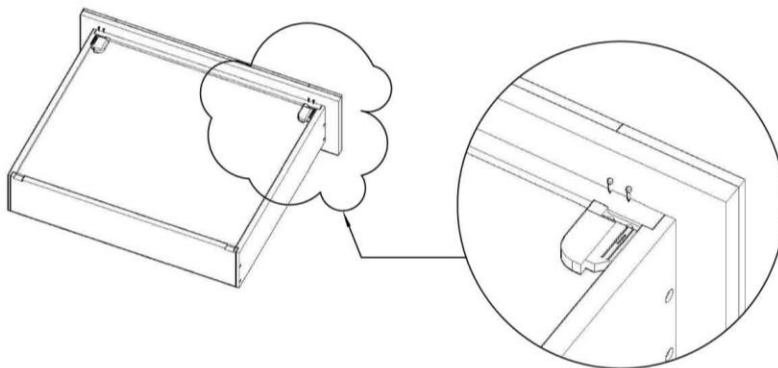
STEP 1:
Fasten the Drawer Side Panel
and Drawer Back Panel.



STEP 2:
Insert Bottom and another
Drawer Side Panel into the
grooves.



STEP 3:
Position the Front into the
grooves, then screw the Side
Panel and the Front.

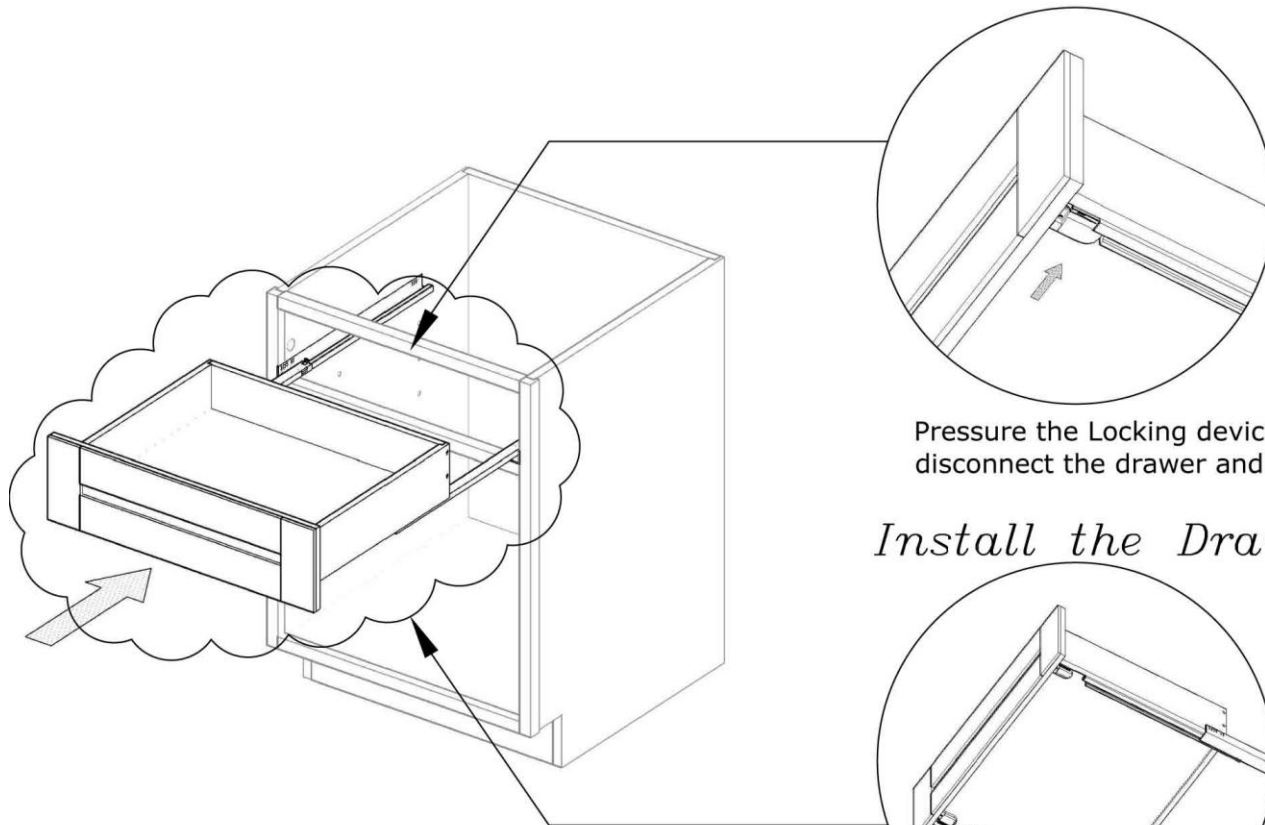


STEP 4:
Screw the Locking device on the
bottom.



STEP 5:
Slide the Drawer Slide from the
Faceframe until the drawer slide is
aligned with the faceframe, then
fasten into pre-drilled holes.

SOFT-CLOSING DRAWERS (page 2 of 2)



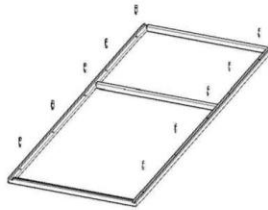
Pressure the Locking device bottom to disconnect the drawer and the slides.

Install the Drawer

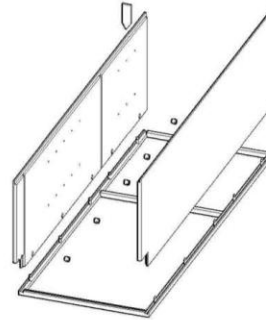
Join the Drawer and the Slides

STEP 6:
Locate the Drawer on the Slides, then push the Drawer into cabinets until the Locking Devices connecting with the Slides.

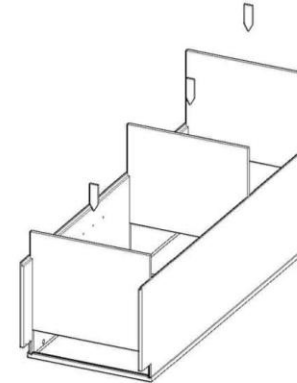
PANTRY CABINETS



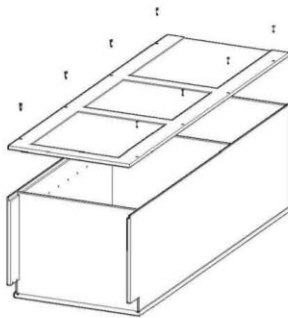
STEP 1:
Screw the dowels into the Faceframe.



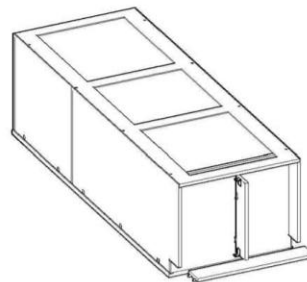
STEP 2:
Position the Side Panel into the grooves, then use screwdriver to lock the caings



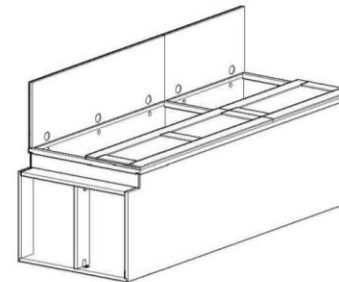
STEP 3:
Insert the Shelves into the grooves.



STEP 4:
Position the Backboard, then fasteners into the hole on the Backboard.

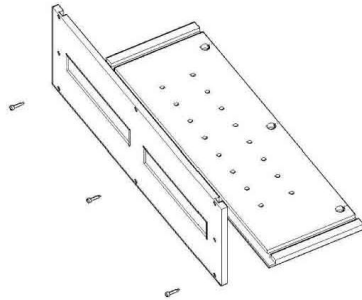


STEP 5:
Install the Toe Kick and screw them.

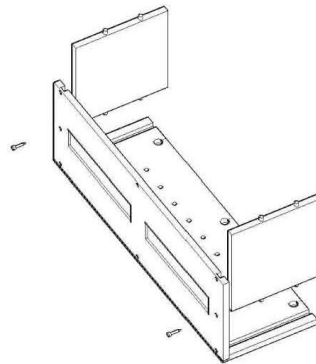


STEP 6:
Install the hinges on the door, then screw them on the cabinet.

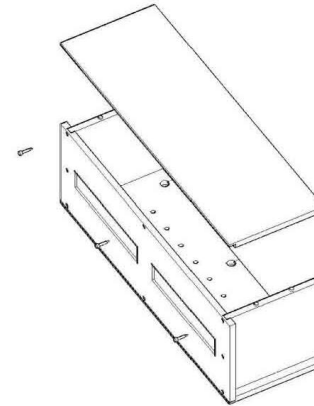
SINGLE DOOR WALL CABINETS



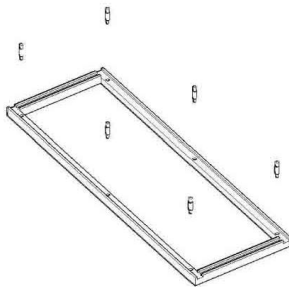
STEP 1:
Connect the Side Panel and Backboard, then fasteners into the hole on the backboard.



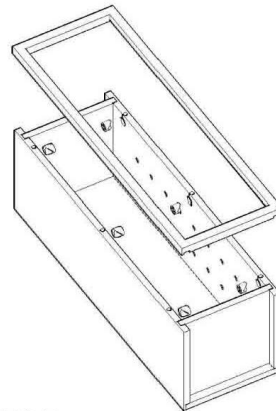
STEP 2:
Insert the Bottom Panel and the Top Panel into the grooves.



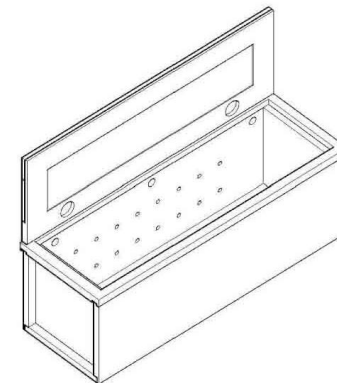
STEP 3:
Position the another Side Panel into the grooves, then fasteners into the hole on the backboard.



STEP 4:
Screw the dowels into the Faceframe.

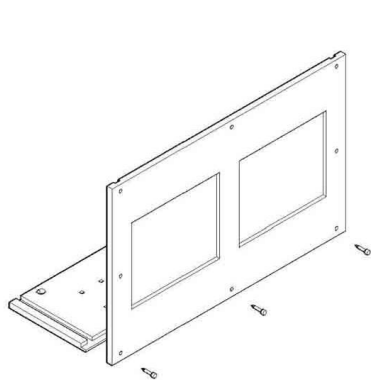


STEP 5:
Position the Faceframe, then use screwdriver to lock the Casings.

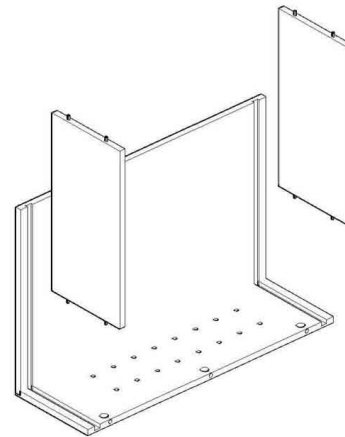


STEP 6:
Fasten the hinges on the doors, then screw the them on the cabinet.

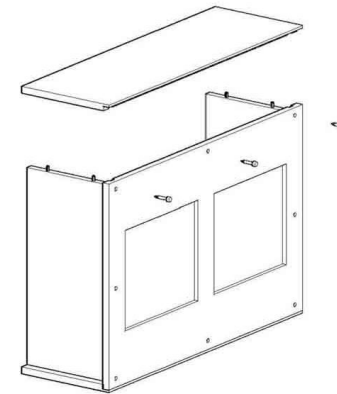
DOUBLE DOORS WALL CABINETS



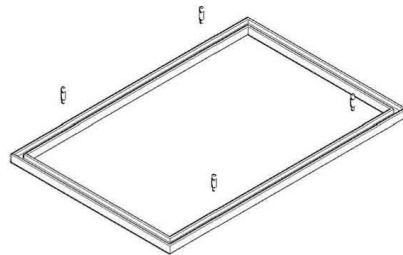
STEP 1:
Connect the Side Panel and Backboard, then fasteners into the hole on the backboard.



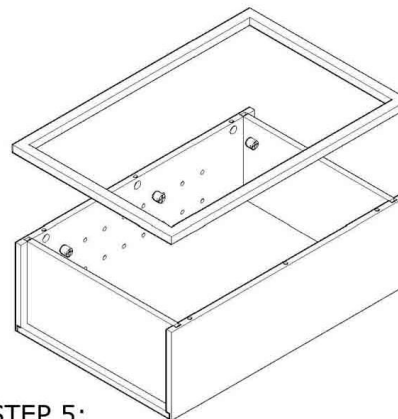
STEP 2:
Insert the Bottom Panel and the Top Panel into the grooves.



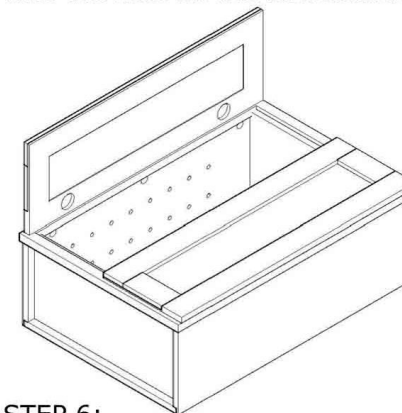
STEP 3:
Position the another Side Panel into the grooves, then fasteners into the hole on the backboard.



STEP 4:
Screw the dowels into the Faceframe.

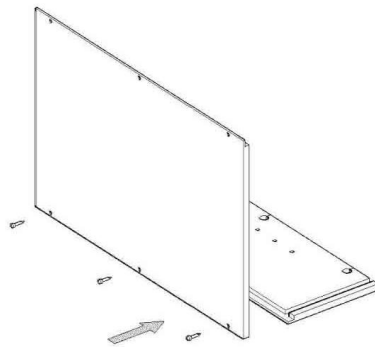


STEP 5:
Position the Faceframe, then use screwdriver to lock the Casings.

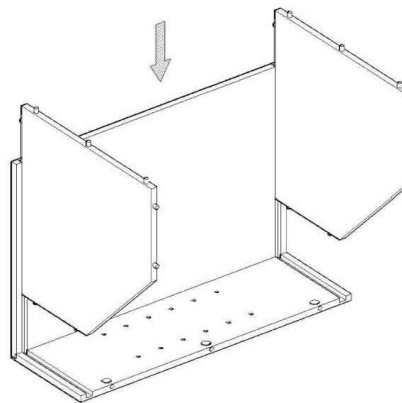


STEP 6:
Fasten the hinges on the doors, then screw the them on the cabinet.

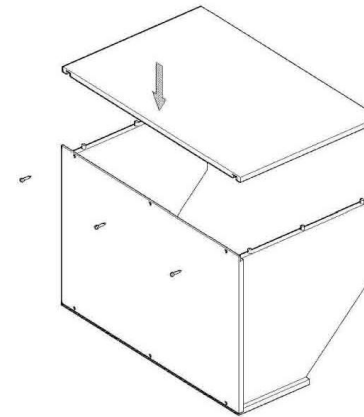
WALL CORNER CABINETS (page 1 of 2)



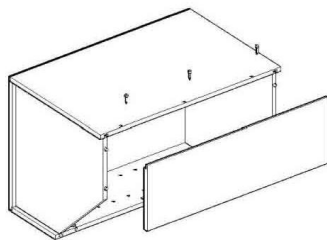
STEP 1:
Connect the End Panel and Back End Panel, then screw them together on the Back End Panel.



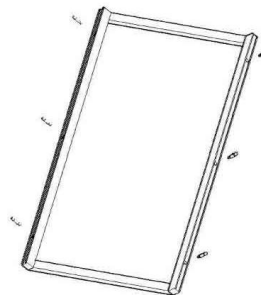
STEP 2:
Insert the Bottom Panel and the Top Panel into the grooves.



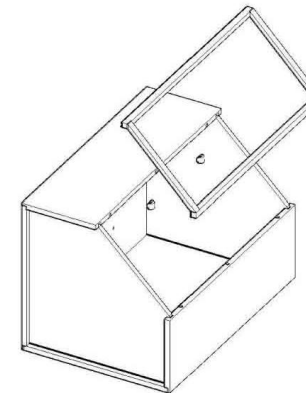
STEP 3:
Position the another Back End Panel into the grooves, then screw them together.



STEP 4:
Locate the another End Panel and screw it.

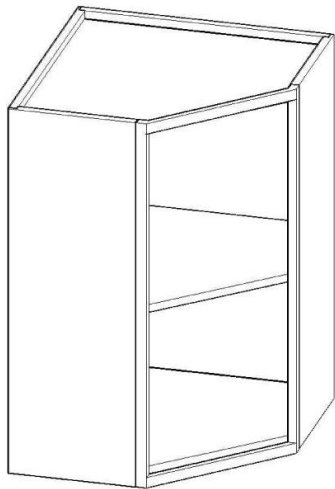


STEP 5:
Screw the dowels into the Faceframe.

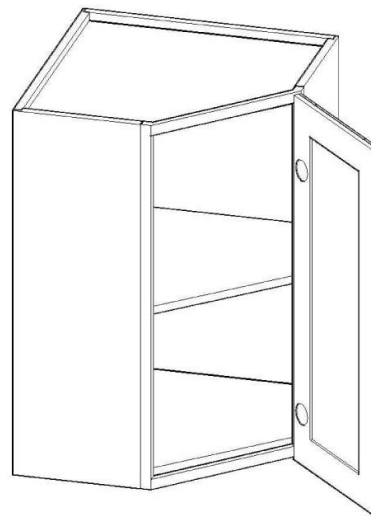


STEP 6:
Position the Faceframe, then use screwdriver to lock the Casings.

WALL CORNER CABINETS (page 2 of 2)

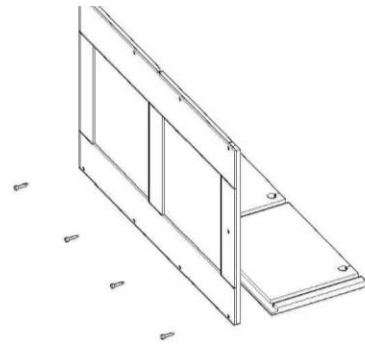


STEP 7:
Put the shelf supports, then
insert the shelves into the
cabinet.

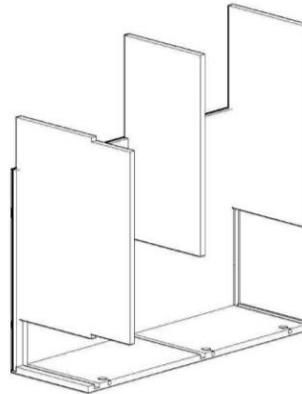


STEP 8:
Install the hinges on the doors and
screw them on the cabinet.

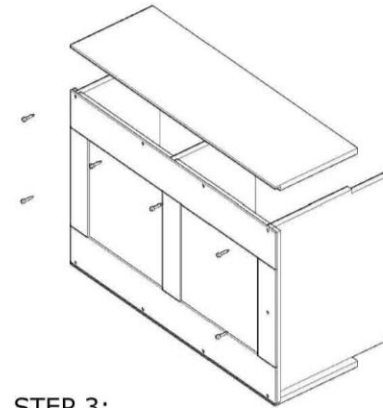
MICROWAVE CABINETS



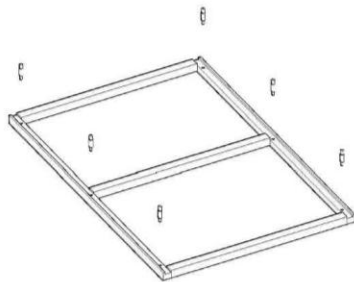
STEP 1:
Connect the Side Panel and Backboard, then fasteners into the hole on the backboard.



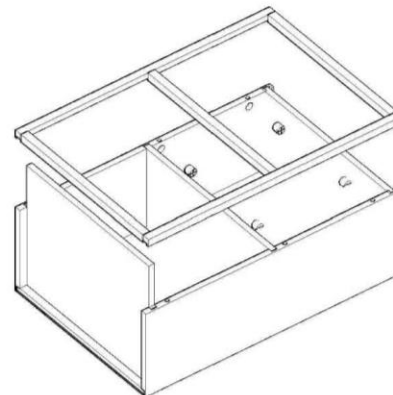
STEP 2:
Insert the Bottom Panel and the Top Panel into the grooves.



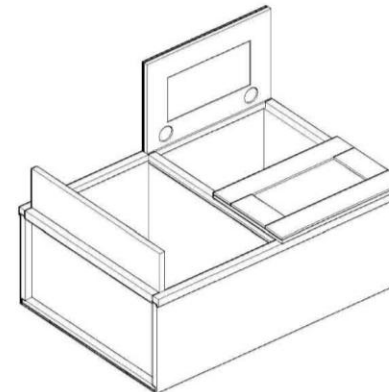
STEP 3:
Position the another Side Panel into the grooves, then fasteners into the hole on the backboard.



STEP 4:
Screw the dowels into the Faceframe.



STEP 5:
Position the Faceframe, then use screwdriver to lock the Casings.



STEP 6:
Fasten the hinges on the doors, then screw the them on the cabinet.